

PROGRAM 2015



LSD[®] 
www.LSD-DOORS.de

What's LSD?

LSD – Lambo Style Doors is the ultimate product within the scene to modify any vehicle into an awesome dream car

LSD is the first worldwide brand to offer a complete engineered program of **vehicle-specific** Lambo Style Door systems. The system enables you to open the door like the original diva from Lambo! According to the highest safety standards in Germany and the one and only certified product in the world is available from LSD.

LSD is a straight out of the box **product ready to install**, and a bolt on solution which is installed at the original fitting & mounting points at door & A-pillar.

Our sensational Lambo Style Door solutions utilize our patented technology assuring a safe, **user-friendly complete solution** with a simple & **minimal installation time**.

At most of the cars *, only some minor trimming at the inner fender lip is necessary and no further bodywork of cutting, welding, adapting, or even structural changes of the chassis etc... is necessary!

* further details please find within our application list and installation instructions.



All doors up with LSD

Give your ride wings in 3 easy steps!

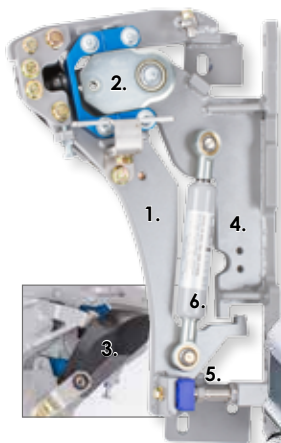
With the LSD door hinges the door is opened outwards as usual. Then it can be opened easily upwards with the support of the gas spring. Because of an exactly adjustable mechanism this action is secured. Closing the door in the opposite way is also secured and uncomplicated due to the patent pending "Magic Stick™" technology. The "Magic Stick™" secures itself into the socket and stops the door from dropping any further from the closing position. It is centering and adjusting the door before it will be locked in the original door lock.

The latest generation of LSD Doors incorporates our „ONE MOVE Technology“ which provides a more fluid and elegant operation of the car doors.



NEW LSD DOORS ONE MOVE: FOR EXCLUSIVE CARS

The latest generation of LSD Doors incorporates our ONE MOVE Technology which provides a more fluid and elegant operation of the car doors. In just one smooth movement, the LamboStyleDoors open upwards and stop gently with the assistance of a damping gas spring. The new curved track design assists in a smooth fluid closing motion of the door and precise locking of the door.



ONE MOVE

in detail

- permanently guided solution with unique ONE MOVE motion sequence

1. Swing arm with ball caster

2. ONE MOVE roller guide

1. ONE MOVE

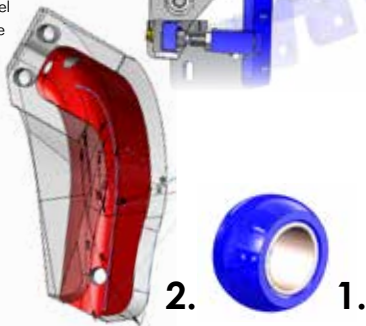
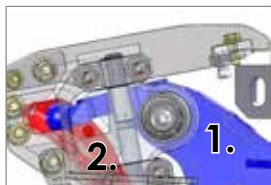
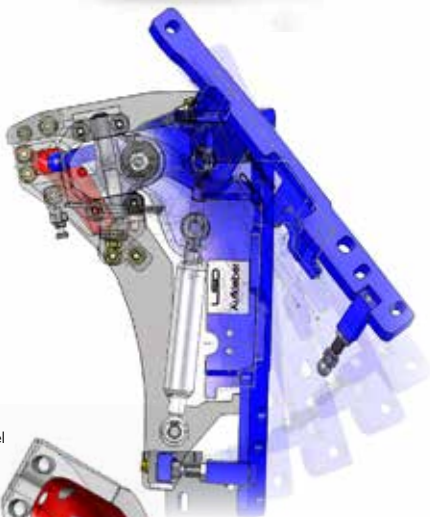
ball caster

- stainless steel guiding roller
- special teflon coating of slide bearing

2. ONE MOVE

roller guide

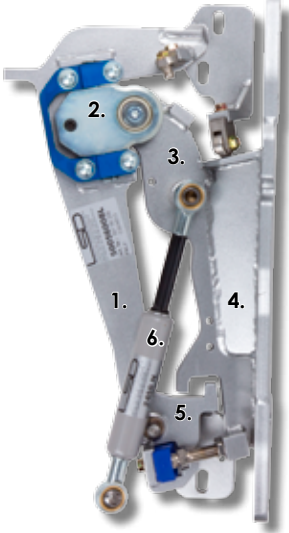
- the swing arm is permanently guided via a roller guide via ballcaster
- made out of high-tensile composite steel
- manufactured on a 5 axle CNC machine
- special plasma tempered treatment for steel



It All Revolves Around the Details

1. Base plate and pivot arm

- Laser-cut from high-strength steel
- Defined slots for height and depth adjustment (part of the 3-dimensional door adjustment)
- Galvanised surface finish



2. M.A.R.A. Technology - Multiple - Axis - Rotational - Assembly

(Adjustable aluminium C-shaped pivot arm connection)

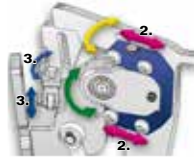
→ The (C-profile) aluminium pivot arm connection attached to the base plate can be repositioned in a longitudinal direction to adjust the gap dimensions, replacing the standard top door hinge.

→ The door first opens out as usual, up to an angle of 30°, around the vertical axis of the C-profile (depending on the vehicle model).

→ In the CNC-milled pivot bearing seat there is a special ball bearing in the horizontal axis, by means of which the door is then pivoted upward in LSD style.

3. GRS (Guided Roller System)

→ The applications LSD GRS (Guided Roller System) ensure that the entire motion sequence of the pivot arm is guided in every position by the 2-dimensional adjustment option of the roller bearing, in order to guarantee



◀ **LSD GRS**
Guided Roller System

the precise opening and closing of the door. Please see reference X in the application list on page 8-11.

→ Applications LSD GRS+ offer in addition to the guided roller system a locking device on the top which locks the pivot arm into position. This upper adjustment guarantees an additional stabilization of the opened door. Please see reference Z in the

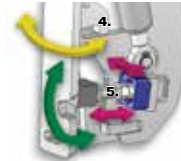


◀ **LSD GRS+**
With guided roller system and upper locking device.

application list on page 8-11.

4. Patented safety locking

→ When the door is closed into the original lock, an interlocking connection is created between the LSD base plate and the pivot arm.



◀ **„Magic Stick™“ Technology**

5. „Magic Stick™“ Technology

→ When the door is closed, at the end of the downward motion the „Magic Stick™“ positions itself in a vertically aligned, sound absorbing polyamide seat.

→ The stabiliser can be adjusted in length to adapt to the 3-dimensional adjustment options.

→ The seating for the stabiliser has the necessary depth adjustment, ensuring that the door is also neatly closed and airtight.

6. Vehicle-specific gas springs



World's only crash tested solution!

Side impact test for Lambo Style Doors delivers impressive safety evidence

- DEKRA-tested in compliance with R95 and ECE directive
- Any misgivings about safety can be entirely dispelled
- The requirements of the applicable directives on car manufacturers are fully met. Test confirms occupant protection and ease of rescue.
- "Made in Germany" quality

The side impact test proved it: The patented LSD hinge system offers optimum safety in the event of a side impact. The test was conducted in accordance with the directives applicable to car manufacturers, ECE- R 95, and EU directive 96/27/EEC. The DEKRA Accident Research and Crash Test Centre also confirmed: A vehicle equipped with LSD doors offers the necessary protection and guarantees optimum safety for its occupants. The stress loads on occupant dummies actually fall short of the maximum permitted values.

Optimum safety for the occupants

The side impact test impressively demonstrates the extreme loads to which components and occupants are exposed. In the side impact test, which is conducted in compliance with the applicable directives, a moving barrier is accelerated up to a speed of 50km/h (30 mph). Then this barrier is caused to impact laterally on the driver's side of the vehicle. 'At the wheel' sits a dummy, model Euro - SID 1, equipped with sensors and connected to measuring instruments. The doors did not open during the impact.

Ease of rescue

The rescue of the occupants also satisfied the EU directive to its full extent. Rescue through the passenger door was effected with no difficulty, and without the assistance of any tools. On the driver's side it was still possible to swing the door open in an upward direction, as a result of the LSD hinge mechanism. This means that in the event of a serious accident it would be possible to effect the rescue of the occupants even more swiftly.

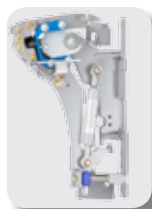
"Made in Germany" quality

In contrast to other retrofit kits for Lambo Style Doors, the LSD door fittings, 'Made in Germany', are impressive due to their highly developed technology and the highest possible quality standards.



100% Vehicle Specific

Every LSD application is newly developed for every single car. All important car measurements have been considered and therefore no application is similar to one another.



Audi
R8



Mercedes-Benz
SLK Typ 171



Opel
Astra GTC



VW
Golf V

- **Functional, practical, total solution**
- **Relatively simple to fit, no welding or structural modifications necessary**
- **parts certificates**
- **Tested according to StVZO [German road traffic regulations], ECE and EU directives**



LSD chrome emblem	
Article	Part-no.
	68580011



LSD Lanyard	
Article	Part-no.
	45010022



LSD Banner	
Article	Part-no.
300 x 100 cm	45010003



LSD Sweat Jacke		
Article	Size	Art. Nr.
beige, 100% cotton	S	45040021
	M	45040022
	L	45040023
	XL	45040024
	XXL	45040025



LSD T-Shirt		
Article	Size	Art. Nr.
beige, 100% cotton	S	45040001
	M	45040002
	L	45040003
	XL	45040004
	XXL	45040005



LSD Tent	
Article	Part-no.
300 x 300 cm - with 4 side walls	45010008



LSD Chair Set	
Article	Part-no.
	45010007



LSD Sticker	
Article	Part-no.
10 x 2 cm	45020050
22 x 5 cm	45020051



LSD Pin	
Article	Part-no.
	45010001



LSD Sign	
Article	Part-no.
52 x 11cm	45010005

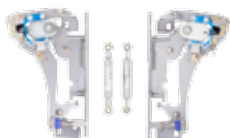
Quickfinder

We permanently develop new applications. Please find the latest update to our application list at www.lsd-doors.de



LSD Basis Kit

Includes two complete pre-assembled LSD hinges including gas springs, complete installation and mounting materials, cable extension, insulated cable ties, waterproof insulating tape, cable clips, comprehensive installation instructions, certificate and two LSD chrome emblems.





LSD Kit ONE MOVE

Includes two complete pre-assembled LSD hinges including gas springs, complete installation and mounting materials, cable extension, insulated cable ties, waterproof insulating tape, cable clips, comprehensive installation instructions, certificate and two LSD chrome emblems.

Manufacturer / Vehicle; (type)	LSD Kit		LSD Kit ONE MOVE		Version
	Part No.		Part No.		
ALFA ROMEO					
GT; (937)	50015001		-		GRS
Mito; (955)	50015004		-		GRS
147; (937)	50015002		-		GRS
AM GENERAL COOPERATION					
Hummer; (H2)	50099001		-		GRS
AUDI					
A3; (8L)	50010001		-		Basic
	50010004		-		Basic
A3; (8P); (8PA)	50010003		-		GRS
	50010012		-		GRS
S3; (8L)	50010005		-		Basic
S3; (8P)	50010003		-		Basic
TT; (8N)	50010002		-		GRS
TT; (8J)	50010009		-		GRS+
A4; (B5)	50010006		-		GRS
A4; (8H)	50010008		-		GRS
A5 / S5; (B8)	50010010		-		GRS+
R8; (42)	50010011		50010015		GRS+ ONE MOVE
R8; (42A)	50010013		50010014		GRS+ ONE MOVE
80; (89)	50010007		-		GRS
BMW					
1er (E81); (187,1K,1K4)	50020019		-		GRS+
1er (E87); (187,1K,1K4)	50020017		-		GRS+
1er / 1-series (E82, E88); (182,1C)	50020018		-		GRS+
3er (E36); (3C, 3/C, 3/CG)	50020002		-		GRS
3er (E36);	50020009		-		GRS
(3B, 3/B, 3C, 3/C)	50020001		-		Basic
	50020014		-		GRS
M3 (E36); (M3B, M3/B)	50020009		-		GRS
3er (346L)	50020016		-		GRS
3er (E46); (346C, 346R)	50020003		-		GRS
M3 (E46); (M346)	50020003		-		GRS
	50020010		-		GRS
3er (E90); (390L)	50020013		-		GRS+
3er (E92, E93); (392C)	50020012		-		GRS+
M3 (E92, E93); (M390)	50020012		-		GRS+
6er (E63, E64); (663C)	50020011		-		GRS

Manufacturer / Vehicle; (type)	LSD Kit		LSD Kit ONE MOVE		Version
	Part No.		Part No.		
					
BMW					
M6 (E63, E64); (M560)	50020011		-		GRS
Z3; (R/C)	50020005		-		GRS
Z3 M; (MR/C)	50020005		-		GRS
Z4; (Z85)	50020006		-		GRS+
Z4 M; (M85)	50020006		-		GRS+
Z4; (Z89; ZR)	50020020		-		GRS
CHEVROLET					
Camaro SS	50061019		-		GRS+
S-10/S-15 Standard & Ext-cab	50061004		-		Basic
CHRYSLER					
300 C; (LX)	50027004		-		GRS+
300 C; (LX)	50027015		-		GRS
Crossfire; (ZH)	50027005		-		GRS
Neon; (PL)	50027002		-		Basic
PT Cruiser; (PT)	50027003		-		Basic
	50027013		-		Basic
CITROEN					
C4; (L)	50095004		-		GRS
Saxo; (S*...)	50070009		-		GRS
CORVETTE					
Corvette C5	50061009		-		GRS
Corvette C6	50061012		-		GRS
Corvette Z06	50061012		-		GRS
Corvette C7	50061018		50061018		ONE MOVE
DAIHATSU					
Copen; (L881)	50053001		-		GRS
DODGE					
Challenger; (LC)	50028001		-		GRS
Magnum; (LX/SXT)	50027004		-		GRS+
FERRARI					
360 Modena; (F131)	50042001		-		GRS+
F430; (F131)	50042001		-		GRS+
FIAT					
500; (312)	50040007		-		GRS
Punto; (176)	50040001		-		Basic
Punto; (188)	50040002		-		Basic
Grande Punto; (199)	50040006		-		GRS
Coupe; (FA, 175)	50040005		-		Basic
Stilo; (192)	50040003		-		GRS
	50040008		-		GRS
FORD					
Fiesta; (JD3)	50030011		-		GRS
Fiesta; (JA8)	50030015		-		GRS
Focus; (DAW,DBW,DFW,DBX,DAX,DA1,DB1)	50030001		-		Basic
DBX,DAX,DA1,DB1)	50030002		-		Basic
	50030014		-		Basic
Focus II; (DA3)	50030007		-		GRS
	50030012		-		GRS
	50030007		-		GRS
Mustang	50030005		-		GRS
HONDA					
Civic, CRX; (EC8,9,ED6,7,9,EE8,9)	50050003		-		Basic
Civic, CRX; (EG2,EH6)	50050004		-		Basic
Civic, CRX; (EG4)	50050014		-		GRS
Civic, CRX; (EK1,3,4,9)	50050005		-		GRS
Civic, CRX; (EJ1,2)	50050015		-		Basic
Civic; (EP1,2,3,4,EM2,EV1)	50050006		-		Basic
Civic; (FK1,2,3)	50050009		-		GRS
Civic; (FN1,2,3)	50050012		-		GRS
Integra; (DC2)	50050007		-		Basic
Ridgeline	50050010		-		GRS
S2000; (AP1)	50050008		-		Basic
HYUNDAI					
Coupé; (GK)	50066001		-		GRS
Genesis	50066002		-		GRS
KIA					
pro_ceed; (ED)	50068001		-		GRS

Manufacturer / Vehicle; (type)	LSD Kit		LSD Kit ONE MOVE		Version
	Part No.		Part No.		
					
LAMBORGHINI					
Gallardo; (140)	50011001		50011002		ONE MOVE
LANCIA					
Thema / 300C (LX)	50027015		-		GRS+
MAZDA					
MX 5; (NA)	50075001		-		Basic
MX 5; (NB, NBD)	50075002		-		GRS
MX 5; (NC1, NC1E)	50075004		-		GRS
RX 8; (SE)	50075003		-		GRS
MERCEDES					
C-Klasse / c-class Sportcoupé; (203CL)	50025009		-		GRS
CL; (215)	50025006		-		GRS
CL; (216)	50025010		-		GRS+
CLK (W208); (208)	50025004		-		GRS+
CLK (W209); (209)	50025005		-		GRS+
E-Klasse / e-class (207)	50025011		-		GRS
E-Klasse / e-class (207)	50025013		-		GRS
GL; (164G)	50025008		-		GRS
SLK; (170)	50025001		-		GRS
SLK; (171)	50025002		-		GRS+
SLK; (172)	50025012		-		GRS+
SL; (R129)	50025007		-		GRS
SL; (R230)	50025003		-		GRS+
MINI					
Mini R50,R52,R53; (R50,Mini, Mini-N)	50020007		-		Basic
Mini R56; (Mini-N)	50020015		-		GRS+
Mini R58; (Mini-N)	50020021		-		GRS+
MITSUBISHI					
Colt; (Z30; Z3B)	50065001		-		GRS
Eclipse; (D30)	50065002		-		GRS
NISSAN					
GT-R; (R35)	50085002		-		GRS
300ZX (Z32)	50085003		-		GRS
Z 350; (Z33)	50085001		-		GRS
Z 370; (Z34)	50085004		-		GRS
OPEL					
Astra F; (F-CC, F-Cabrio)	50060004		-		Basic
Astra G; (T98, /V, /C, T98/NB)	50060005		-		GRS
Astra GTC; (A-H/C)	50060006		-		GRS+
Astra H; (A,H)	50060011		-		GRS+
Astra J (P-J)	50060014		-		GRS+
Astra J (P-J) GTC,	50060016		-		GRS+
Astra Twin Top; (A-H/C)	50060006		-		GRS+
Calibra; (A)	50060002		-		Basic
Corsa B; (Corsa-B, S93)	50060001		-		GRS
Corsa C; (C)	50060008		-		GRS
Corsa D; (S-D)	50060010		-		GRS
GT; (K/R)	50060009		-		GRS+
Speedster; (E00Targa)	50060007		-		Basic
Tigra; (S93Coupé)	50060003		-		GRS
Tigra Twin-Top; (X-C/Roadster)	50060013		-		GRS
PEUGEOT					
106; (1*...)	50070009		-		GRS
206, 206CC, 206SW (2*...)	50070001		-		GRS
	50070002		-		GRS
	50070003		-		GRS
207; (W*****)	50070010		-		GRS
	50070011		-		GRS
307; (3*...)	50070008		-		GRS
PONTIAC					
Solstice	50062001		-		GRS+
PORSCHE					
911; (996)	50071002		-		GRS
911; (997, 997 Turbo)	50071001		-		GRS
Boxster; (986)	50071003		-		GRS
Boxster; (987)	50071004		-		GRS
Cayman; (987)	50071004		-		GRS

Manufacturer / Vehicle; (Type)	LSD Kit		LSD Kit ONE MOVE		Version
	Part No.		Part No.		
					
RENAULT					
Clio 2; (B)	50090001		-		Basic
Clio 3; (R, RS)	50090003		-		GRS
Megane; (M)	50090002		-		Basic
Megane; (Z) inkl. RS	50090004		-		GRS+
SATURN					
Sky	50062001		-		GRS+
SEAT					
Cordoba; (6L)	50081006		-		GRS
Ibiza; (6K, 6K/C)	50081001		-		Basic
Ibiza; (6L)	50081003		-		GRS
Ibiza; (6J)	50081008		-		GRS
	50081007		-		GRS
Leon; (1M)	50081004		-		Basic
Leon; (1P)	50081005		-		GRS
SMART					
Fortwo; (MC01)	50026002		-		GRS
Fortwo; (C 451)	50026003		-		GRS
Roadster; (452)	50026001		-		GRS
SUBARU					
BRZ	50056008		-		GRS+
SUZUKI					
Swift; (MZ, EZ)	50076001		-		GRS
	50076002		-		GRS
TOYOTA					
Celica; (T23)	50056001		-		GRS
GT86	50056008		-		GRS+
IQ	50056006		-		GRS
MR 2; (W2, W20)	50056004		-		GRS
MR 2; (W3)	50056002		-		GRS
VOLKSWAGEN					
Bora; (1J)	50080009		-		GRS+
Corrado; (53i)	50080022		-		Basic
Eos; (1F)	50080018		-		GRS+
Golf I (Typ 17)	50080001		-		Basic
Golf II, Jetta II; (19E)	50080002		-		Basic
	50080020		-		Basic
Golf III; (1HX0, 1H, 1E)	50080003		-		GRS
	50080023		-		GRS
	50080013		-		GRS
Golf IV; (1J)	50080004		-		GRS+
	50080014		-		GRS+
Golf V, Jetta V; (1K)	50080005		-		GRS+
	50080008		-		GRS+
Golf VI; (1K)	50080024		-		GRS+
Golf VI; (1K)	50080029		-		GRS+
Golf VI; (1K)	50080028		-		GRS+
Lupo; (6E, 6X)	50080012		-		Basic
Passat (3B,3BG)	50080015		-		GRS
Polo, Derby; (86C)	50080007		-		Basic
	50080017		-		Basic
Polo; (6N)	50080006		-		Basic
	50080019		-		Basic
Polo; (9N)	50080016		-		Basic
	50080027		-		Basic
Polo; (6R)	50080026		-		GRS
Polo; (6R)	50080025		-		GRS
Scirocco; (13)	50080021		-		GRS
Vento; (1HX0, 1H)	50080010		-		Basic

Note! Exact allocation and notes in the main catalogue or at www.lsd-doors.de



www.LSD-DOORS.de

Eine Marke der KW automotive GmbH · Aspachweg 14 · D-74427 Fichtenberg
Tel.: +49 (0) 79 71/96 30-130 · Fax: +49 (0) 79 71/96 30-192 · info@lsd-doors.de · www.lsd-doors.de

Part no. 460 21 502 · Valid until December 31st 2015 · Subject to change · No liability for misprints or errors · www.MediaTel.biz